



GMULMOx-EX

ULTRASONIC LEVEL PROBE

Complies with standard ATEX II 3D EEx IP65 T85°C

Emission angle: 10° typical

Ultrasonic frequency: 42kHz

Ambient operating temperature: -40°C - +65°C

Opto-isolated output: with 2 solid-state relays
RS485 serial
analog 4-20mA

Power: 24Vdc

Protection: IP65

Die-cast aluminium container painted RAL 3000 [DIN A]

Attachment: 3/4" joint



GMULM03-EX

GMULM01-EX

Maximum measurement range: 10 m for measurement of fluids and 5m for measurement of solids

Minimum measurement distance: 500 mm - **EXCLUDES emission cone and flange**



GMULM02-EX

Maximum measurement range: 5 m for measurement of fluids and 2.5m for measurement of solids

Minimum measurement distance: 300 mm - **EXCLUDES emission cone and flange**



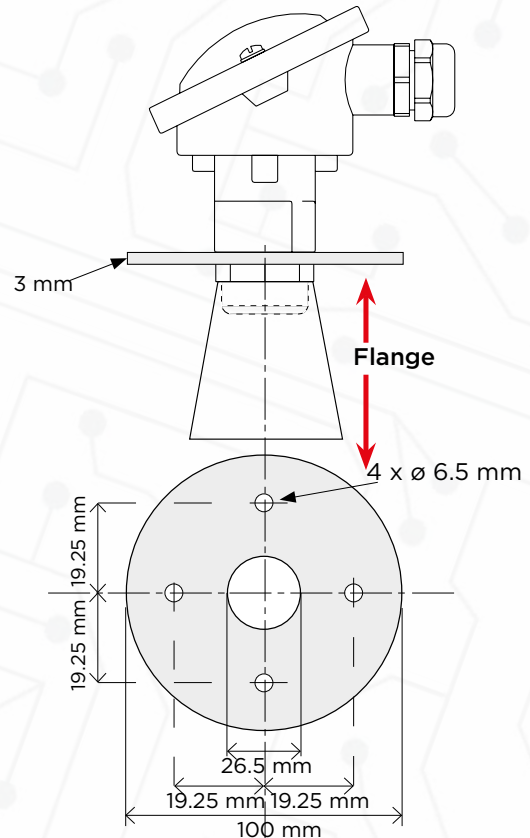
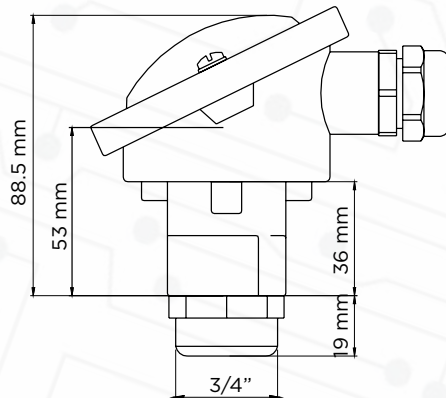
GMULM03-EX

Maximum measurement range: 3.5 m for measurement of fluids and 2m for measurement of solids

Minimum measurement distance: 200 mm - **INCLUDES emission cone and flange**



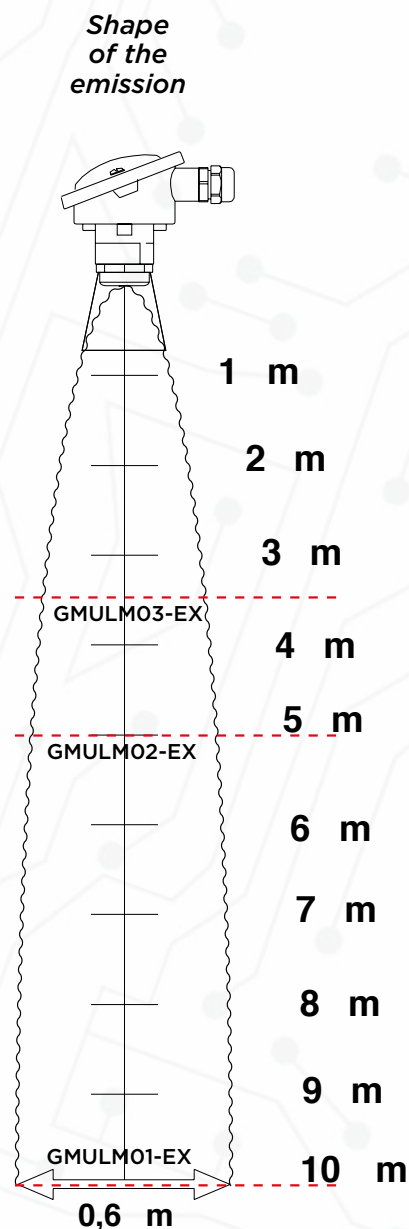
DIMENSIONS:



GMULM01-EX, GMULM02-EX

GENERAL CHARACTERISTICS

DESCRIPTION	Microprocessor technology
LEDs	4 LEDs per alerts
POWER	24Vdc (18-36Vdc) 30mA
OUTPUT 1	2 solid-state relays max 48 V 120mA
OUTPUT 2	1 analogue output in 4-20mA current
OUTPUT 3	1 digital RS485 serial output
ULTRASONIC FREQUENCY	42kHz
READING FREQUENCY	7.5Hz
MINIMUM MEASUREMENT DISTANCE	GMULM01-EX 0.5m GMULM02-EX 0.3m GMULM03-EX 0.2m
MAXIMUM MEASUREMENT DISTANCE	GMULM01-EX 10m GMULM02-EX 5m GMULM03-EX 3.5m
EMISSION ANGLE	typically 10°
RESOLUTION	1mm
WORKING TEMPERATURE	-40°C - +65°C
ENCLOSURE	DIN A
MATERIAL	Die-cast aluminium (UNI EN 1706)
EMITTER MATERIAL	Aluminium/PVC
IP RATING	IP 65
CERTIFICATION	ATEX II 3D EEx IP65 T85°C



ACCESSORIES:



GMPID002-ULM
GMPID002-ULM-UE
Microprocessor module
for viewing level values



GM-CT2-PO1
Polycarbonate
container
for module
GMPID002-ULM



GM-CT2-PO1S-RJ
Polycarbonate container for
microprocessor module
equipped with RJ45 port for
remote connection
GMPID002-ULM-UE