



GMTEST5D-FM

FIFTH-GENERATION TEST LAMP

FM APPROVED Certified

for GMSC245D-FM spark detectors

Complies with **ATEX Directive 2014/34/EU**

Category 3D/3G

Die-cast aluminium enclosure painted RAL 3000

Dimensions: DIN A

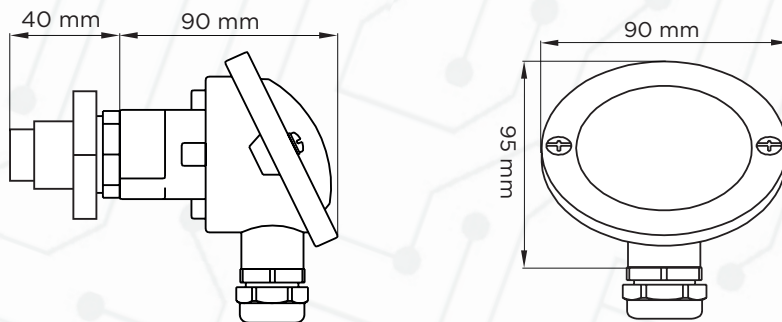
Operating temperature: -30°C - +65°C

Power: 24Vdc - absorption: 200-250mA

Protection: IP65



DIMENSIONS:



ACCESSORIES:

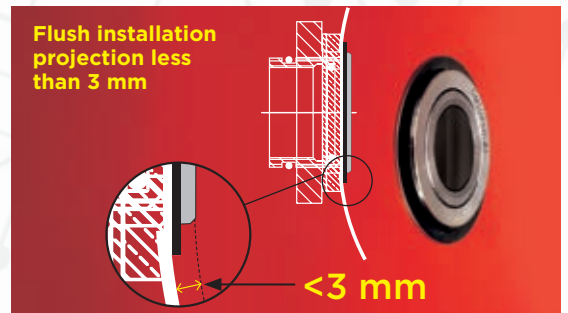
GMSUP5D-B2



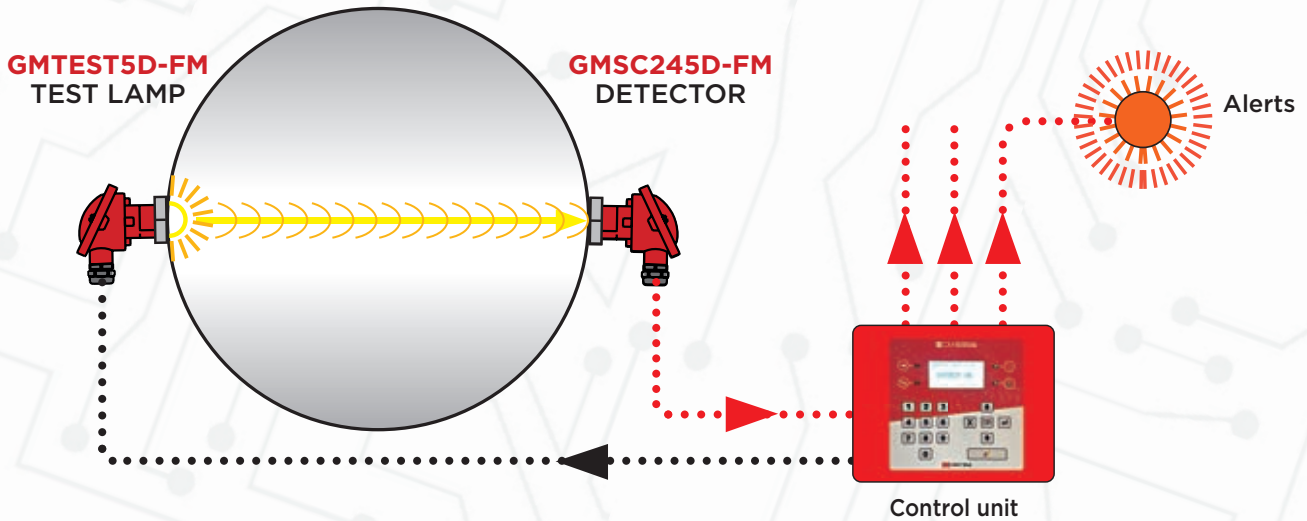
GMSUP5D-OPT

Non-invasive pipe fixing support suitable for pipes a diameter greater than 150 mm and a thickness less than 1.9 mm Including inspection window component GMSUP5D-B2

INSTALLATION WITH SYSTEM GMSUP5D-OPT



EXAMPLE OF SPARK DETECTION TEST

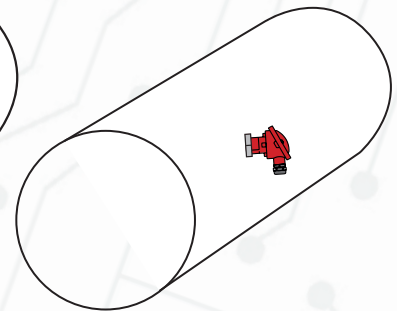
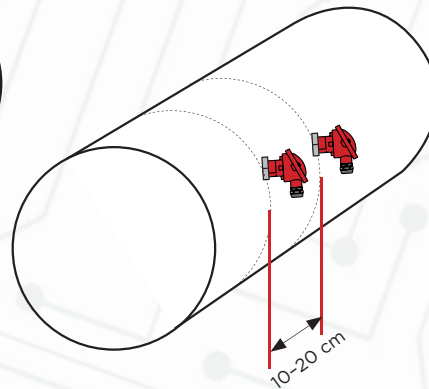
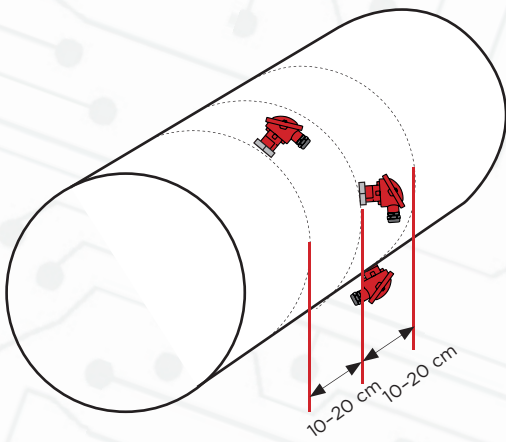


INSTALLATION OF TEST LAMP AND SPARK DETECTORS ON PIPES:

GREATER THAN 1000 mm

UP TO 1000 mm

UP TO 500 mm



FRONT VIEW

FRONT VIEW

FRONT VIEW

