



THERMOVELOCIMETRIC PROBE

Complies with **ATEX Directive 2014/34/EU - Category 3D/3G**

Fixed threshold alarm [thermostatic]: 70°C

Temperature gradient threshold alarm: 5°C/5s or 2.5°C/5s

3 opto-isolated outputs + RS485 BUS

Power 24Vdc

Protection: IP65

Die-cast aluminium enclosure painted RAL 3000

Dimensions: DIN A

Measurement stylus in AISI 304 steel - L = 150 mm - Ø = 8 mm

Fixing: ½" joint



GMSTV001D-EX

Measurement range: **-40°C to +150°C**



GMSTV001D-EX-FM

FM APPROVED Certified

Measurement range: **-40°C to +150°C**

Output 4-20 mA: 4 mA@ -40°C, 20 mA@ +150°C



GMSTV005D-EX

Measurement range: **-40°C to +150°C**

Output 4-20 mA: 4 mA@ -40°C, 20 mA@ +150°C



GMSTV006D-EX

Measurement range: **-40°C to +250°C**

Output 4-20 mA: 4 mA@ -40°C, 20 mA@ +250°C

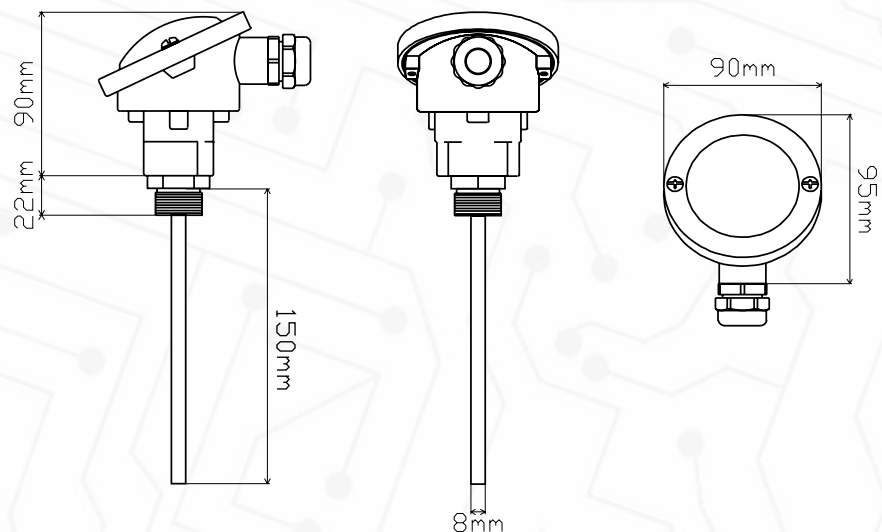
Option 1: thermostatic calibration at 70°C

Option 2: thermostatic calibration at 150°C

Specify the desired calibration when ordering.



DIMENSIONS:



TECHNICAL FEATURES

Power supply	24Vdc ± 10%
Absorption	65mA
Measurement range:	-40 + 150°C on stylus GMSTV001D-EX, GMSTV001D-EX-FM and GMSTV005D-EX -40 + 250°C on stylus GMSTV006D-EX
Tolerance	± 1°C
Output 4-20 mA	YES for GMSTV001D-EX-FM* , GMSTV005D-EX* and GMSTV006D-EX** NO for GMSTV001D-EX ,
Output RS485	GMSTV001D-EX, GMSTV001D-EX-FM, GMSTV005D-EX, and GMSTV006D-EX
Temperature	circuit and container -20°C - +65°C
Steel measurement	stylus thickness 1 mm Ø8 x 150 mm
Enclosure	Die-cast aluminium (Type DIN A)
IP 65	protection
ATEX	protection
Fixing	1/2" (half-inch) gas

* 4 mA @ -40°C, 20 mA @ **+150°C**

** 4 mA @ -40°C, 20 mA @ **+250°C**

ACCESSORIES:



GMSTV-F3-12
Fixing system 3 piece junction
for dust probes
Made in AISI 316L Stainless Steel
1/2" joint



GMSTV-FX1-12
for all versions
of thermovelocimetric probes.
Suitable for installation
in zones **classified ATEX:**
Category 2D/2G



GMPID001 V1.4-x
Microprocessor module
for viewing
temperature values



GMTC2P72
Flange to attach the
microprocessor module
to the metal container
GMCTxxMS



GM-CT2-P01
Polycarbonate
microprocessor module
GMPID001 V1.4-x