



## THERMOVELOCIMETRIC PROBE

Complies with **ATEX Directive 2014/34/EU - Category 3D/3G**

**Fixed threshold alarm [thermostatic]: 70°C**

Temperature gradient threshold alarm: 5°C/5s or 2.5°C/5s

3 opto-isolated outputs + RS485 BUS

Power 24Vdc

**Protection: IP65**

Die-cast aluminium enclosure painted RAL 3000 - DIN A dimensions

**Measurement stylus in AISI 304 steel - L = 150 mm - Ø = 8 mm**

Attachment: ½" joint



### GMSTV001D-EX

Measurement range: **-40°C to +150°C**



### GMSTV001D-EX-FM

Measurement range: **-40°C to +150°C**

**FM APPROVED Certified**



### GMSTV005D-EX

Measurement range: **-40°C to +150°C**

**Output 4-20 mA: 4 mA@ -40°C, 20 mA@ +150°C**



### GMSTV006D-EX

Measurement range: **-40°C to +250°C**

**Output 4-20 mA: 4 mA@ -40°C, 20 mA@ +250°C**

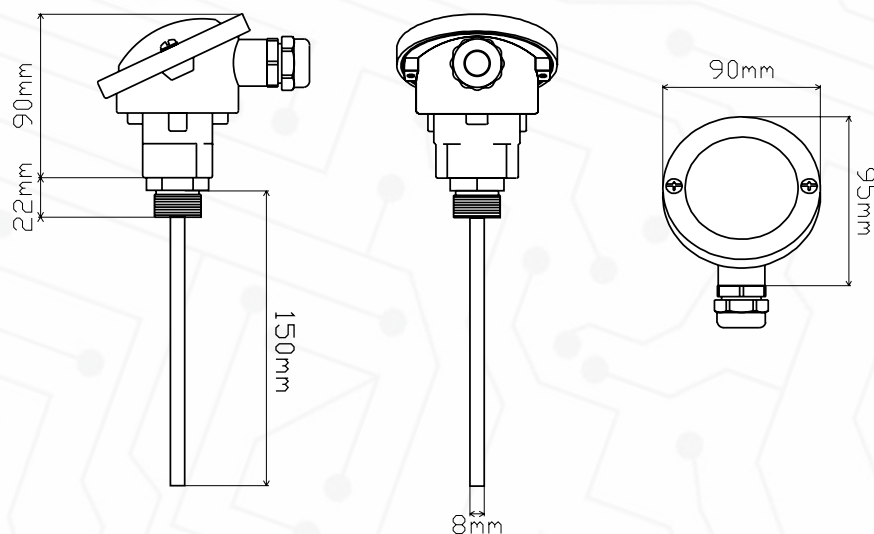
**Option 1:** thermostatic calibration at 70°C

**Option 2:** thermostatic calibration at 150°C

**Specify the desired calibration when ordering.**



#### DIMENSIONS:



## TECHNICAL FEATURES

Power supply	24Vdc $\pm$ 10%
Absorption	65mA
Measurement range:	-40 + 150°C on stylus <b>GMSTV001D-EX, GMSTV001D-EX-FM</b> and <b>GMSTV005D-EX</b> -40 + 250°C on stylus <b>GMSTV006D-EX</b>
Tolerance	$\pm$ 1°C
Output 4-20 mA	<b>YES</b> for <b>GMSTV005D-EX*</b> and <b>GMSTV006D-EX*</b> <b>NO</b> for <b>GMSTV001D-EX, GMSTV001D-EX-FM</b>
Output RS485	<b>GMSTV001D-EX, GMSTV001D-EX-FM, GMSTV005D-EX,</b> and <b>GMSTV006D-EX</b>
Temperature	circuit and container -20°C - +65°C
Steel measurement	stylus thickness 1 mm $\varnothing$ 8 x 150 mm
Die-cast	aluminium enclosure (Type DIN A)
IP 65	protection
ATEX	protection
Attachment	1/2" (half-inch) male threaded stub pipe

\* **GMSTV005D-EX** 4 mA @ -40°C, 20 mA @ **+150°C**

\* **GMSTV006D-EX** 4 mA @ -40°C, 20 mA @ **+250°C**

### ACCESSORIES:



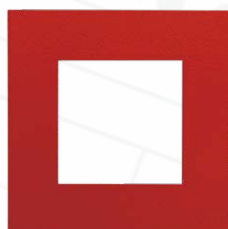
**GMSTV-F3-12**  
Fixing system  
3 piece junctions



**GMSTV-FX1-12**  
**FIXING SYSTEM** for all versions  
of thermovelocimetric probes.  
Suitable for installation  
in zones **classified ATEX:**  
**Category 2D/2G**



**GMPID001 V1.4-x**  
Microprocessor module  
for viewing  
temperature values



**GMTC2P72**  
Flange to attach the  
microprocessor module  
to the metal container  
GMCTxxx



**GM-CT2-P01**  
Polycarbonate container  
microprocessor module  
GMPID001 V1.4-x