



TEMPERATURE TRANSDUCER

Complies with **ATEX Directive 2014/34/EU - Category 3D**

PT100 platinum RTD thermistor

Power supply: 24Vdc

Protection: IP65

Die-cast aluminium enclosure painted RAL 3000
dimensions DIN A

Measurement stylus in AISI 304 steel - L = 150 mm - Ø = 8 mm

Attachment: 1/2" joint



GMSTN415D-EX

Measurement range: **-40°C to +150°C**

Output 4-20mA: 4mA@ -40°C, 20mA@ +150°C



GMSTN425D-EX

Measurement range: **-40°C to +250°C**

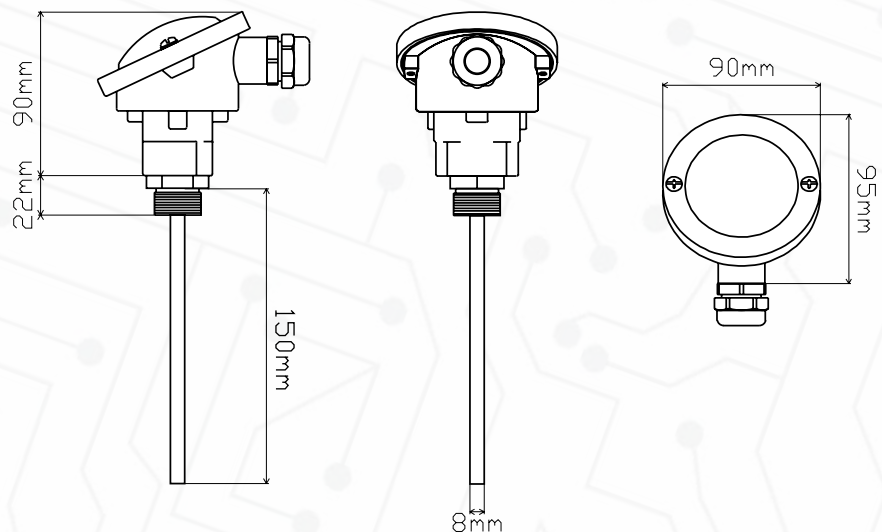
Output 4-20mA: 4mA@ -40°C, 20mA@ +250°C



TECHNICAL CHARACTERISTICS GMSTN415D-EX/GMSTN425D-EX

Power supply	24Vdc ± 10%
Absorption	65mA
Tolerance	± 1°C
Temperature circuit and container	-5°C - +80°C
Temperature GMSTN415D-EX	4mA @ -40-20mA @ +150°C measurement stylus
Temperature GMSTN425D-EX	4mA @ -40-20mA @ +250°C measurement stylus
Steel measurement	stylus thickness 1 mm Ø8 x 150 mm
Enclosure	Die-cast aluminium
Protection	IP65
Attachment	1/2" (half-inch) joint

DIMENSIONS:

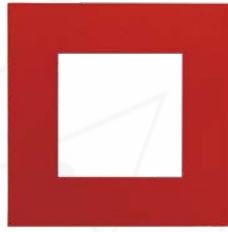


Industrial measurements: TEMPERATURE SENSORS

ACCESSORIES:



GMPID001-STN
Microprocessor module
for viewing
temperature values



GMTC2P72
Flange to attach the
microprocessor module
to the metal container
GMCTxxx



GM-CT2-P01
Polycarbonate container
for microprocessor module