



GM-PID002-D1-K2

MICROPROCESSOR MODULE
for **MEASURING** the differential pressure
WITH DISPLAY to monitor mechanical
filter blockages.
Version for **LOW PRESSURE** and **HIGH PRECISION**

PID regulation function

Display: backlit, 128 x 64 pixels

Inputs: • pressure

Outputs: • analog 4-20mA

• analog 0-10V

• RS485 serial

• digital on two relays, fully customized
using internal software.

Output 24Vdc 200mA to power external devices

Power 1: from 85 to 264 VAC [from 47 to 440Hz]
or from 127 to 370Vdc.

Power 2: 24Vdc \pm 10%

Both power supplies are included standard.

Operating temperature: -20°C - +60°C

Front protection: IP54



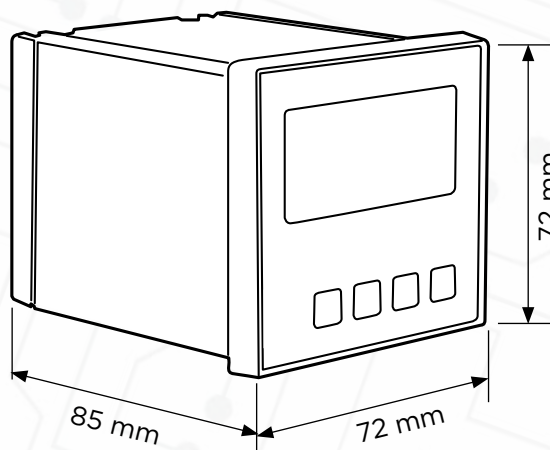
Back

MEASUREMENT RANGE:

GM-PID002-D1-K2

-100/+100 mm H₂O

DIMENSIONS:



Industrial measurements: MICROPROCESSOR MODULES FOR MEASURING THE DIFFERENTIAL PRESSURE WITH DISPLAY

02/2024

TECHNICAL SPECIFICATIONS

Technology.

Microprocessor electronics with flash memory.

Input power:

Power 1

May be applied regardless of the voltage from 85 to 264Vac and frequency from 47 to 440Hz, or any continuous voltage from 127 to 370Vdc.

Power 2

Power 24Vdc \pm 10%

Protection against:

overheating, overloads, voltage surges, and short circuits with automatic recovery.

Absorbed power.

< 6 W

Pressure input

GM-PID002-D1-K2 -100/+100 mm H₂O

Analogue current output

(Activated using software).

4-20mA active (current generator).

4-20 mA passive (current load).

Analogue voltage output

(Activated using software).

0-10V

Resistance of 4-20mA current inputs

< 50 Ω

Resistance of 0-10V voltage inputs

> 5000 Ω

Resistance load on 4-20mA outputs.

< 750 Ω

Resistance load on 0-10V output.

> 10000 Ω

Input/output protection.

All analogue/digital inputs and outputs are protected with resettable fuses, Zener diodes, and varistors.

Type of digital output.

Two-wire RS485 protected with resettable fuses.

Output to power external devices.

24Vdc maximum current for uses = 200mA.

Number of thresholds.

2

Threshold output.

Two relays with 250Vac/30Vdc 5A contacts.

Threshold type.

Entirely software programmable.

Visualization

Display 128 x 64 pixels with LED backlighting.

Two green LEDs for the relay threshold status

Precision.

\pm 0.01% F.S.

Working temperature/humidity.

Temperature from -20°C to +60°C.

Humidity from 0% to 90%, non-condensing.

Input buttons.

Four buttons for entering data.

Electrical connection:

- One removable 6-pole terminal, 5.08 mm step (2 relay outputs with switch contacts).
- One removable 2-pole terminal, 7.62 mm step (Only Power 1)
- One removable 9-pole terminal, 5.08 mm step (Power 2, digital inputs, outputs, analog outputs, RS485).

Pneumatic connection

Two hose connectors for \varnothing 4 mm hoses.

Protection rating

IP54 front

Container

Recessed container 72 mm x 72 mm

Hole dimensions 68 mm x 68 mm. DIN 43700.

Container material

Self-extinguishing UL 94 VO.

Certifications

CE

ACCESSORIES:



GMTC2P72

Flange to attach the microprocessor module to the metal container GMCTxxx



GM-CT2-PG

Polycarbonate container for microprocessor module (GM-PID002-D1-K2) equipped with hose connectors