



GMFDO05-EX

FOURTH GENERATION FLAME DETECTOR



Complies with **ATEX Directive 2014/34/EU**

Category 3D/3G

Die-cast aluminium enclosure painted RAL 3000

Operating temperature: -30°C - +65°C

Power: 24Vdc

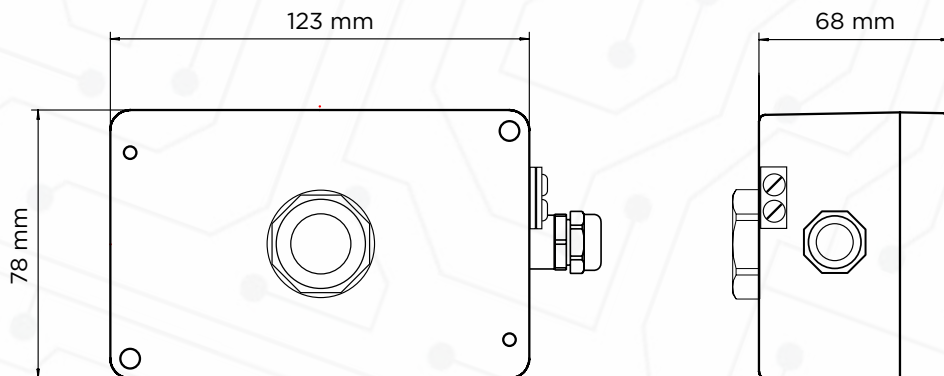
Absorption: 20mA [rest]

40mA [alarm]

Protection: IP65



DIMENSIONS:



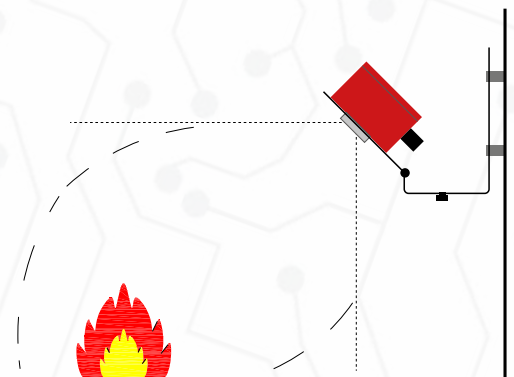
ACCESSORIES:



GMSUP2-EX-TU
Mounting kit

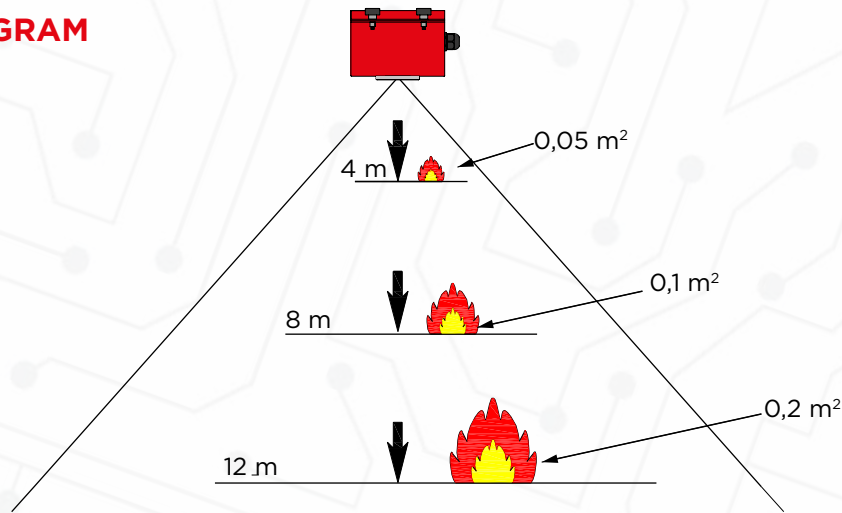


GMSUP-F-IX
all/ceiling fixing support

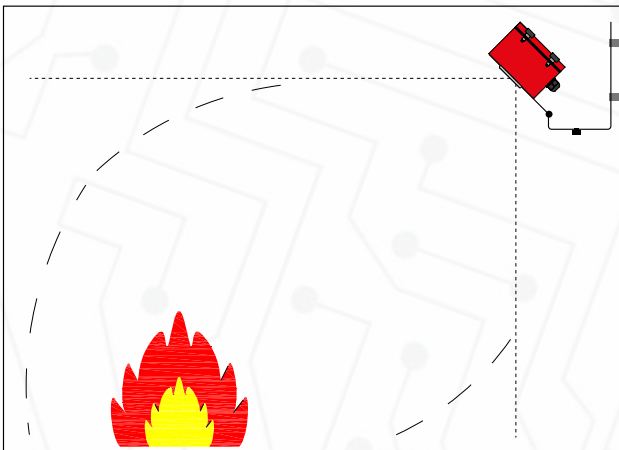


Power supply	24Vdc +- 10%
Nominal current	20mA REST 40mA ALARM 110mA ALARM + TEST
Operating temperature	-30 - +65°C (-22°F to +149°F)
Storage temperature	-55 - +65°C (-67°F to +149°F)
Spectral response (nm)	900-2900
Optical sensitivity S: (V/W)	($\lambda = \lambda_p$, $V_s = 15V$) 4×10^4 Min. 1×10^5 Typ.
Detectivity D: ($cm \cdot \sqrt{Hz/W}$)	5×10^8 Min. 1×10^9 Typ.
Response time	0-63 % - - 250 μs Max.
Field of view	90°
Alarm time	40 ms
Enclosure	DIN A
Protection	IP 65

SENSITIVITY DIAGRAM



Example of wall attachment with support:
GMSUP-F-IX



Example of installation on tanks/silos

