



# GMFD005D



## FIFTH GENERATION FLAME DETECTOR

Complies with **ATEX Directive 2014/34/EU**

**Category 3D/3G**

Die-cast aluminium enclosure painted RAL 3000

Dimensions: DIN A

Operating temperature: -30°C - +65°C

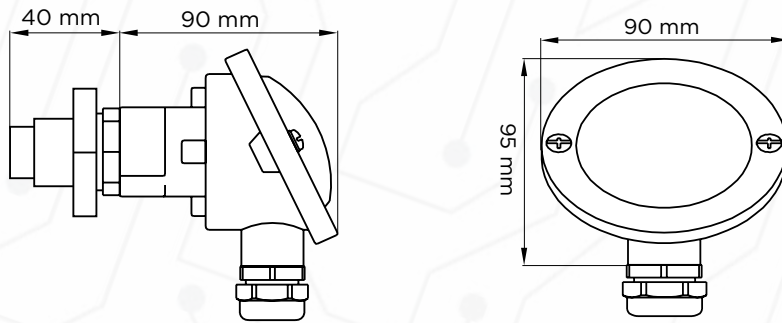
Power: 24Vdc

Absorption: 20mA [rest]  
40mA [alarm]

**Protection: IP65**



### DIMENSIONS:



### ACCESSORIES:



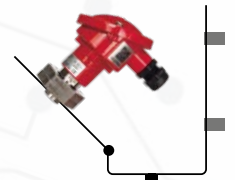
#### GMSUP5D-OPT

Non-invasive attachment system including component with inspection window GMSUP5D-B2. Specific for GMF5005D, suitable for tubes a diameter greater than 150 mm and a thickness less than 1.9 mm and with support GMSUP-F-IX.



#### GMSUP-F-IX-D

Wall/ceiling fixing support for the flame detector (code GMFD005D).

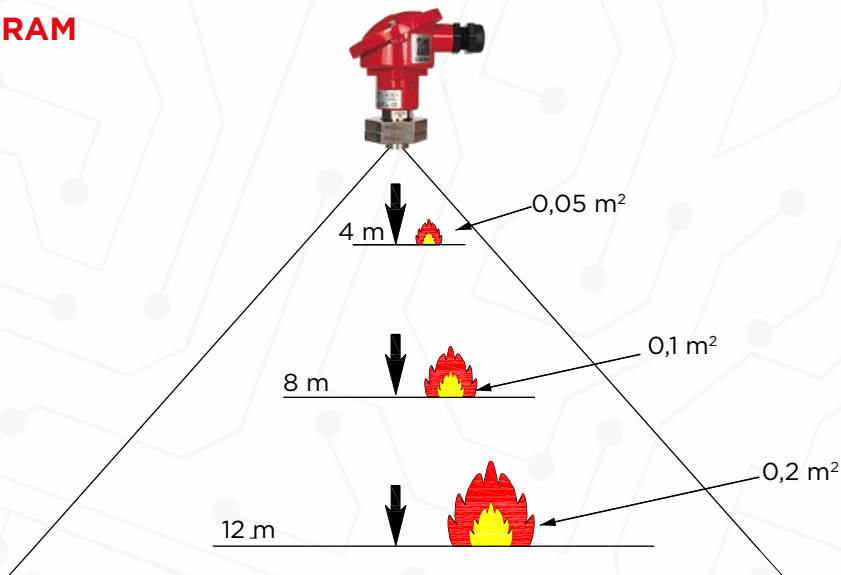


## Fire Prevention: FLAME DETECTORS

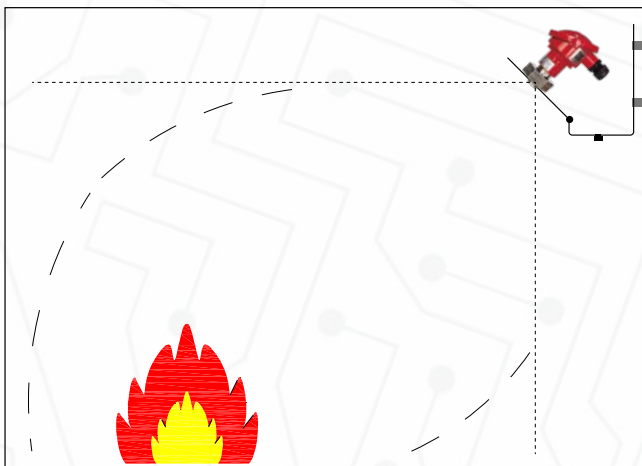
02/2024

Power supply	24Vdc +/- 10%
Nominal current	20mA REST 40mA ALARM 110mA ALARM + TEST
Operating temperature	-30 - +65°C (-22°F to +149°F)
Storage temperature	-55 - +65°C (-67°F to +149°F)
Spectral response (nm)	900-2900
Optical sensitivity S: (V/W)	( $\lambda = \lambda_p$ , $V_s = 15V$ ) $4 \times 10^4$ Min. $1 \times 10^5$ Typ.
Detectivity D: ( $cm \cdot \sqrt{Hz/W}$ )	$5 \times 10^8$ Min. $1 \times 10^9$ Typ.
Response time	0-63 % - - 250 $\mu s$ Max.
Field of view	90°
Alarm time	40 ms
Enclosure	DIN A
Protection	IP 65

### SENSITIVITY DIAGRAM



Example of wall attachment with supports:  
GMSUP5D-OPT + GMSUP5D-RP3 + GMSUP-F-IX



Example of installation on tanks/silos with supports: GMSUP5D-OPT

